



NORTHSHORE MANUFACTURING

Builrite Handler Model 80 Back of Cab/Tail Mount



STANDARD SPECIFICATIONS & FEATURES

Avg. Lift Capacity (Less Attachment)

8,000 Lbs @ 10' Radius
5,300 Lbs @ 15' Radius
3,000 Lbs @ 20' Radius
2,600 Lbs @ Full Reach

Boom Data (22'4" Boom)

Reach-Horizontal 22'4"
Reach-Vertical 33'8"
One 12'0" Main boom
One 10'4" Jib boom
High yield structural tube construction
2-1/2" Boom pivot and 2" cylinder pin with Magnesium Bronze bushings at all pivot points

Boom Cylinders

One (1) 6" x 36" x 2-1/2" rod-
Main boom cylinder

One (1) 6" x 24" x 2-1/2" rod-Jib boom cylinder
Double-acting heavy wall, honed steel tubing, with cushioned stops

Swing System

550 Degree non-continuous rotation with mechanical stops
27" Diameter external-tooth turntable bearing
Powered by One (1) swing motor and planetary gear box

Platform

Rotating operator's platform
Fold-down adjustable seat
2-lever joystick controls
Foot controlled swing
Safety guard rail around operator

Power Source

Power take-off from truck engine

Main Frame

A-Frame style
High tensile steel
Overall height 13' 4" mounted on 40" truck frame

Stabilizers

10' telescopic w/ Two (2) 3-1/2" x 43" x 2" rod cylinders
Load lock valves on cylinders
Control valves are mounted on rotating platform for easy operator access
Dual heavy duty ladders

Hydraulic Reservoir

42 Gallon remote frame mount, with suction and return line filters

Pump

Triple Commercial providing 24/21/12 Gpm @ 1400 Rpm
1750 PSI operating pressure

Control Valves

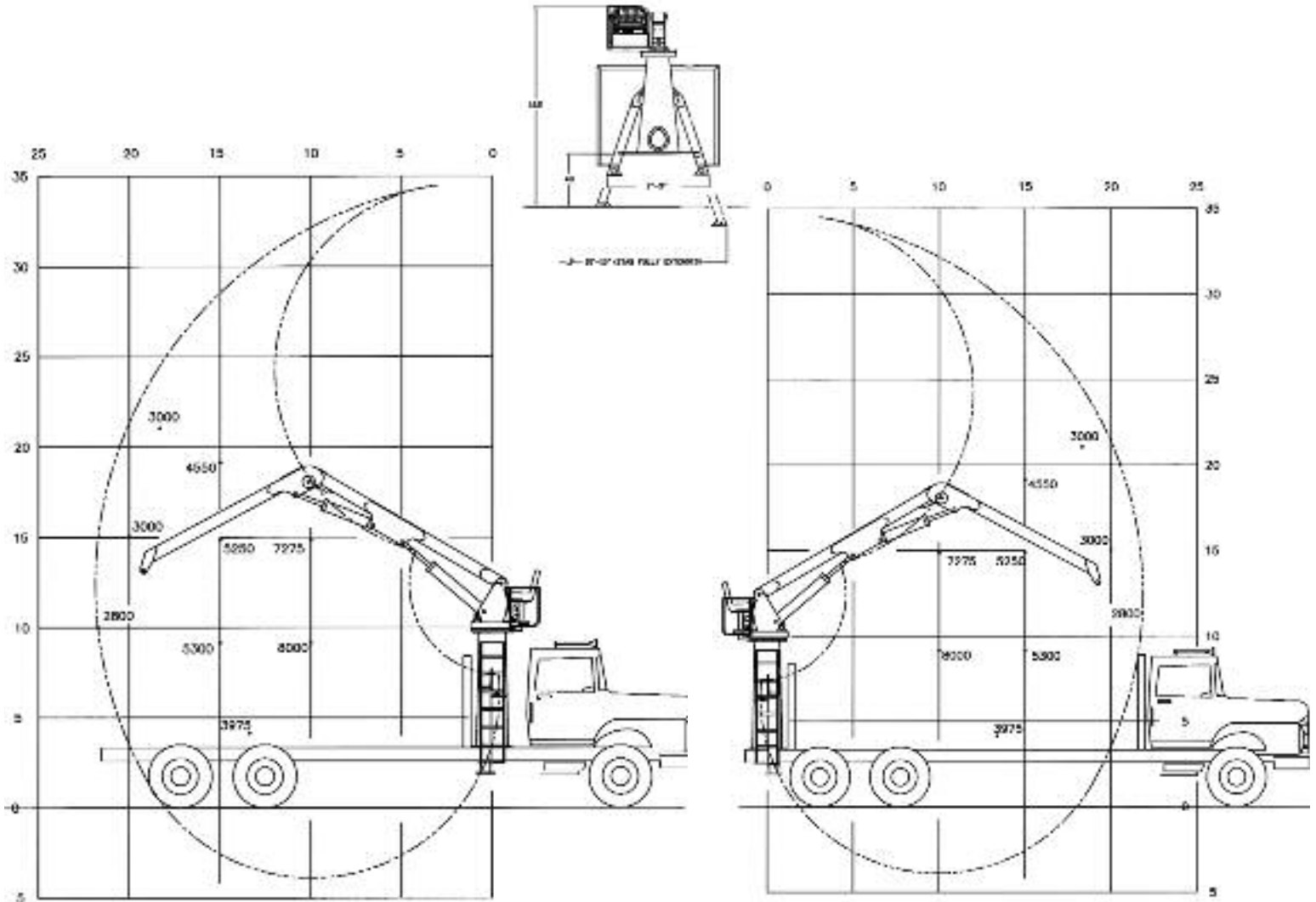
Stack type with joystick controls

Miscellaneous

Requires 26" of mounting space
Mounting bolts and support plates supplied
Approximate weight with standard equipment (less attachment and oil) is 6,000 Lbs.

Options/Accessories

Continuous rotation
20'4" to 25'4" straight booms
Telescopic boom with hydraulically activated 3' jib extension (22'4" to 25'4")
Trailer mount frame package
Oil cooler kit
Paint color per customer preference



NORTHSHORE MANUFACTURING RESERVES THE RIGHT TO CHANGE SPECIFICATIONS AND PRICES WITHOUT NOTICE IN ORDER TO FOLLOW ITS POLICY OF CONSTANTLY STRIVING TO MANUFACTURE A BETTER PRODUCT WITHOUT INCURRING ANY LIABILITY TO PROVIDE THESE NEW FEATURES ON ANY UNITS PREVIOUSLY MANUFACTURED.

NORTHSHORE MANUFACTURING
530 RECYCLE CENTER DRIVE • P.O. BOX 273 • TWO HARBORS, MN 55616
PHONE: 218-834-5555 • FAX: 218-834-5556
WEB: WWW.BUILTRITEHANDLERS.COM • EMAIL: INFO@BUILTRITEHANDLERS.COM

FABRICATION • MACHINING • WELDING • MANUFACTURER OF  **BUILTRITE™ HANDLERS**