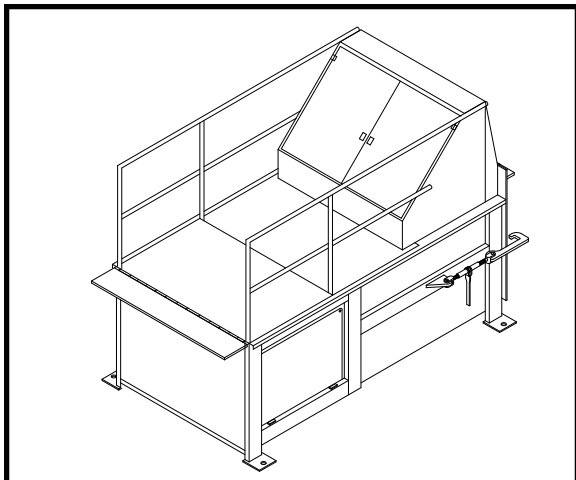
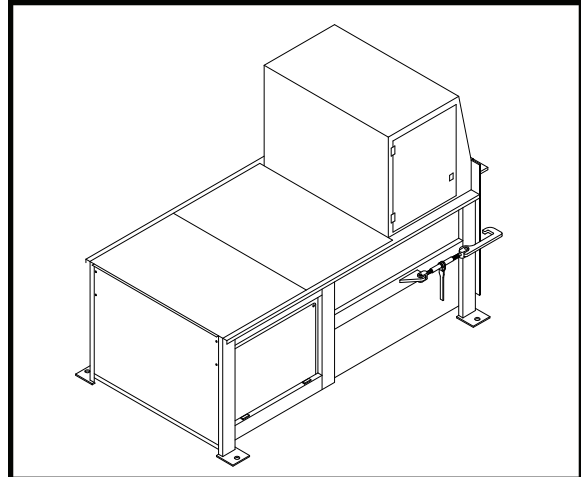




STATIONARY COMPACTORS OPTIONS

OPTION
A-3253 2YD
A-3268 3YD
A-3287 4YD

SIDE FEED DOGHOUSE
WITH ONE DOOR AND INTERLOCK
SWITCH
NOTE: FOR DRIVER'S SIDED OR

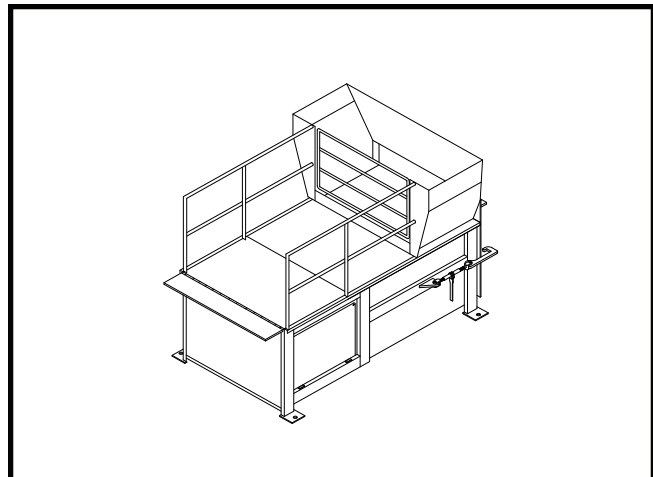


OPTION
A-3254 2YD
A-3269 3YD
A-3288 4YD

REAR FEED 45 DEGREE HOPPER
(CELLAR TYPE) WITH TWO DOORS
AND INTERLOCK SWITCH WITH
7GA. WALK-ON DECK, HAND RAILS,
KICK PLATE AND 18" HINGED DOCK
EXTENSION

OPTION
A-3255 2YD
A-3270 3YD
A-3289 4YD

**REAR FEED FLARED THREE SIDED
HOPPER**
WITH SAFETY GATE AND INTERLOCK
SWITCH WITH
7GA. WALK-ON DECK, HAND RAILS,
KICK PLATE AND 18" HINGED DOCK
EXTENSION

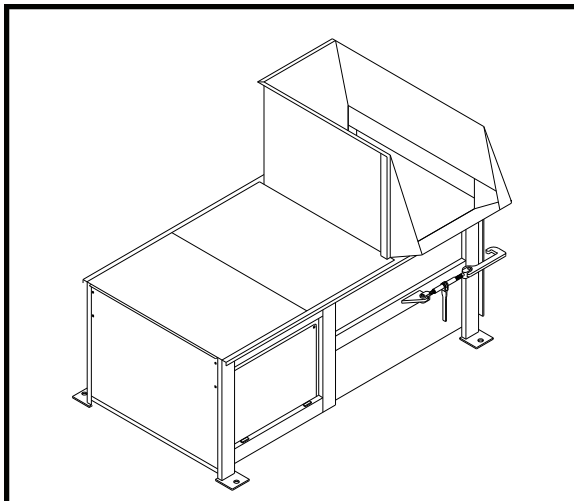
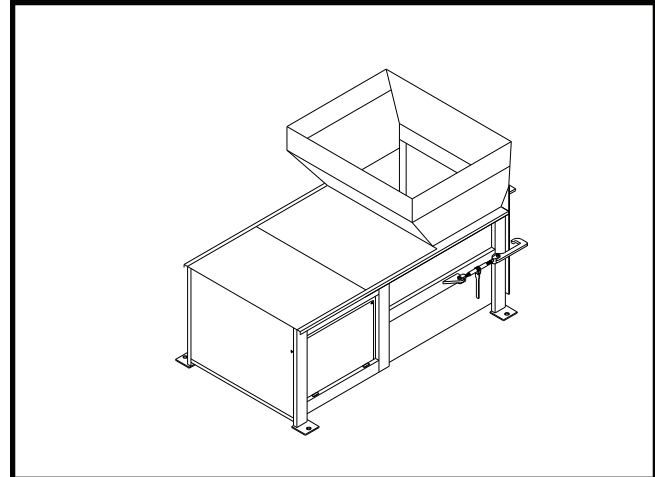




STATIONARY COMPACTORS OPTIONS

**OPTION
A-3256 2YD
A-3271 3YD
A-3290 4YD**

FLARED TOP FEED HOPPER

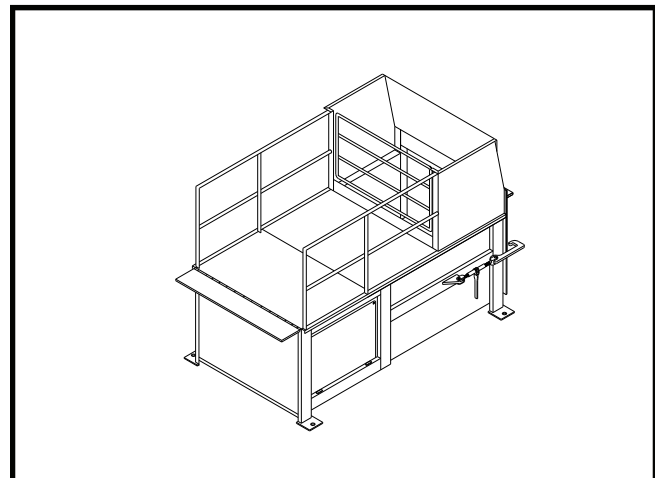


**OPTION
A-3257 2YD
A-3272 3YD
A-3291 4YD**

**STRAIGHT SIDE FEED HOPPER
NOTE: FOR DRIVER'S SIDE OR
PASSENGER SIDE**

**OPTION
A-3258 2YD
A-3273 3YD
A-3292 4YD**

**REAR FEED STRAIGHT THREE
SIDED HOPPER
WITH SAFETY GATE AND INTERLOCK
SWITCH WITH
7GA. WALK-ON DECK, HAND RAILS,
KICK PLATE AND 18" HINGED DOCK
EXTENSION**





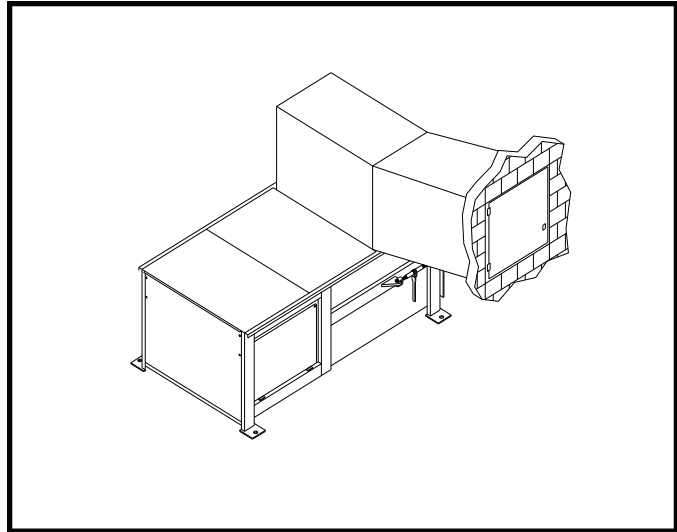
STATIONARY COMPACTORS OPTIONS

OPTION
A-3263 2YD
A-3278 3YD
A-3297 4YD

**SIDED FEED SECURITY CHUTE
THRU THE WALL**

40" HIGH X 96" LONG
WITH ONE DOOR (40" X 40") ,
INTERLOCK SWITCH AND
WALL FLASHING

NOTE: PLEASE NOTE DRIVER'S OR
PASSENGER SIDE

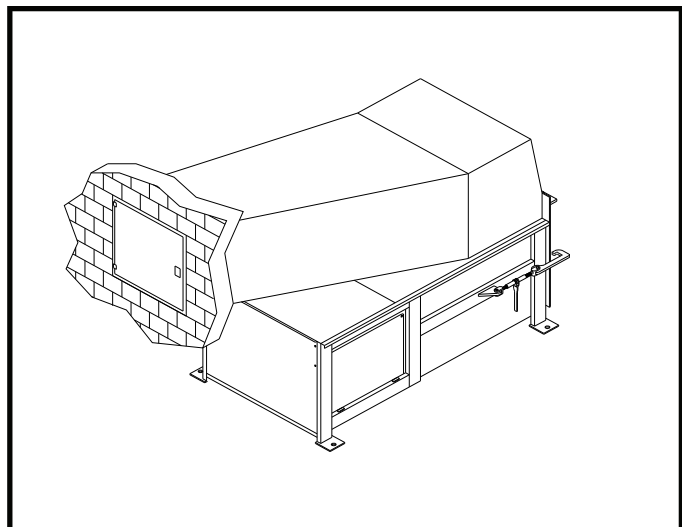


**ALL ORDERS MUST HAVE A COMPLETED
STATIONARY
SURVEY SHEET SLS 0202 AND SLS 0204**

OPTION
A-3264 2YD
A-3279 3YD
A-3298 4YD

**REAR FEED SECURITY CHUTE
THRU THE WALL**

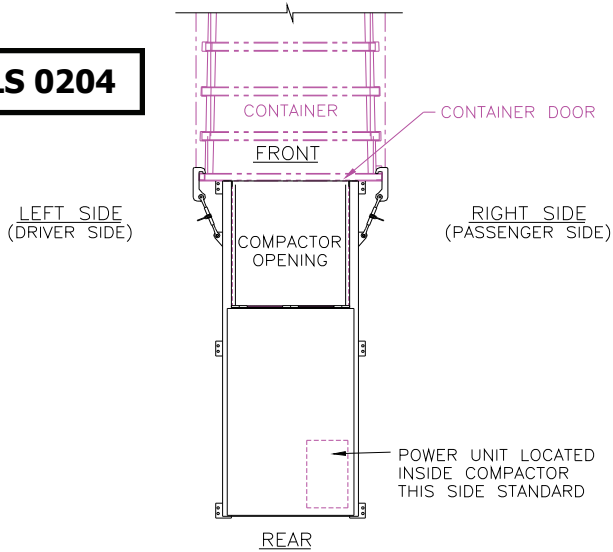
40" HIGH X 96" LONG
WITH ONE DOOR
(40" X 40") ,
INTERLOCK SWITCH AND
WALL FLASHING





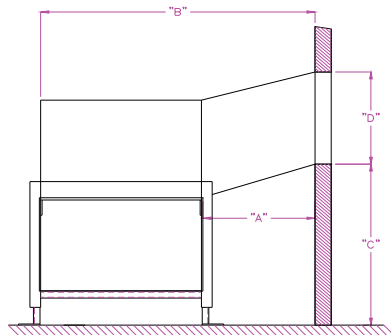
STATIONARY COMPACTORS OPTIONS

SLS 0204

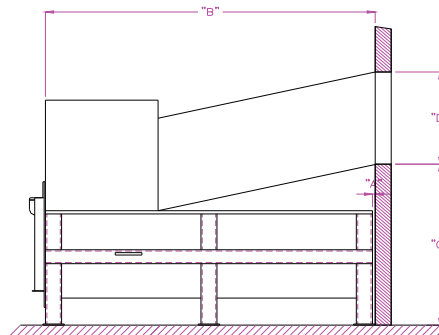


**ALL STATIONARY ORDERS
MUST HAVE A COMPLETED
SURVEY SHEET ATTACHED**

**NOTE:
LOCATION OF POWER UNIT,
OPTIONAL DRIVER'S SIDE**



CHUTE:1
SIDE LOAD
(RIGHT OR LEFT)



CHUTE:2
REAR LOAD

SLS 0202

DIM	CHUTE:1	CHUTE:2
"A"		
"B"		
"C"		
"D"		

NOTES:

